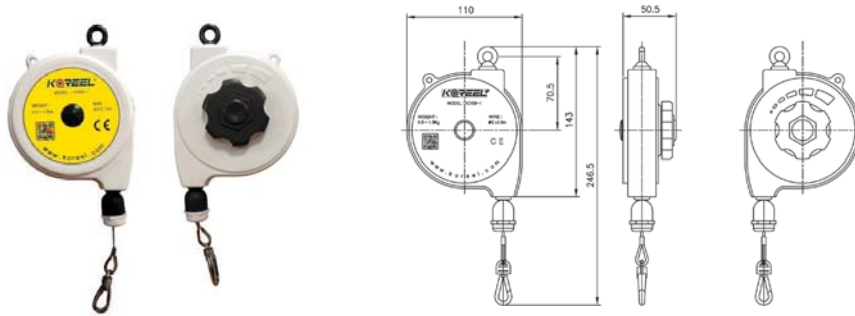


Spring Balancer

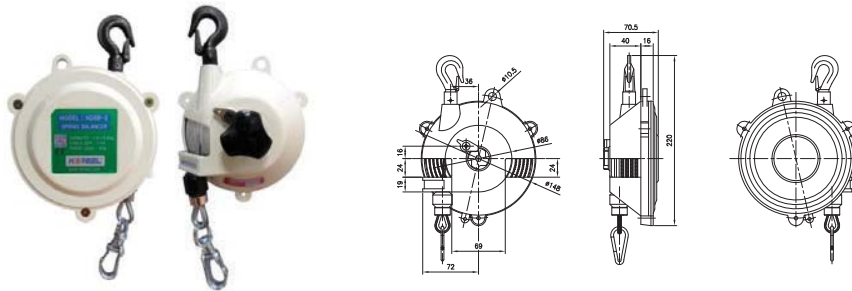
Spring Balancer

Supplementary equipment to reduce the weight of work tools.



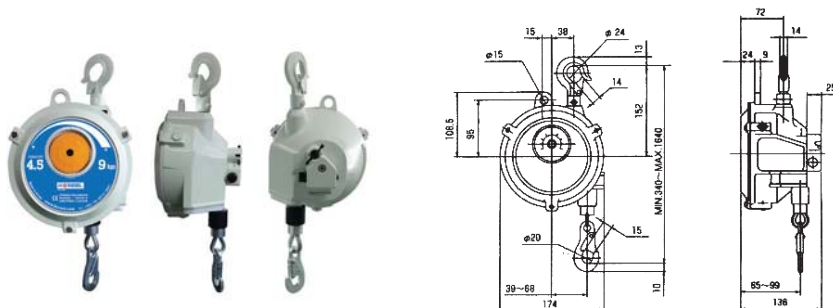
KOSB-1

Model	Range Of Application (kg)	Wire		Weight (kg)	Packing
		External Diameter (Ø)	L (M)		
KOSB-1	0,5~1,5	2mm Coated Wire	1,8	0,45	1Box X 1EA



KOSB-3,5

Model	Range Of Application (kg)	Wire		Weight (kg)	Packing
		External Diameter (Ø)	L (M)		
KOSB-3	1,0 ~ 3,0	3mm Coated Wire	1,8	1,55	1Box X 1EA
KOSB-5	3,0 ~ 5,0	3mm Coated Wire	1,8	1,65	1Box X 1EA



KOSB-9, 15

Model	Range Of Application (kg)	Wire		Weight (kg)	Packing
		External Diameter (Ø)	L (M)		
KOSB-9	4,5~9,0	4mm Coated Wire	1,3	3,7	1Box X 1EA
KOSB-15	9,0~15,0	4mm Coated Wire	1,3	3,8	1Box X 1EA